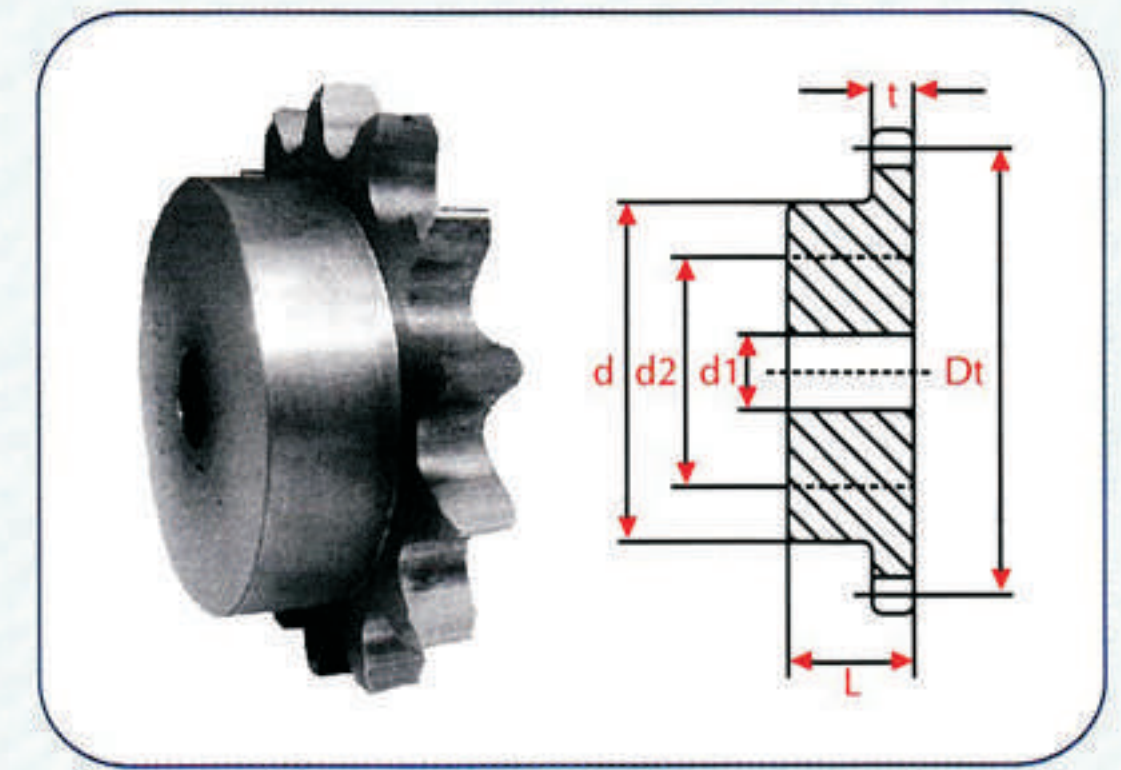


SPROCKETS & PINIONS FOR PRECISION ROLLER CHAINS SIMPLEX



28	30	32	34	36	38	40	42	45	48	50	52	57	60	65	70	76	95	114
85.07	91.12	97.17	103.23	109.29	115.34	121.40	127.46	136.55	145.64	151.69	157.75	172.91	181.99	197.65	212.30	230.49	288.08	345.68
74	78	80	85	70	70	70	75	75	75	75	75	75	75	75	75	75	85	85
28	28	28	30	30	32	32	32	32	32	32	32	32	32	32	32	32	40	40
12	12	12	16	16	16	16	16	16	20	20	20	20	20	20	20	20	20	20
49	52	53	56	46	46	46	50	50	50	50	50	50	50	50	50	50	56	56
113.42	121.5	129.56	137.64	145.72	153.89	161.87	169.95	182.06	194.18	202.26	210.34	230.54	242.66	262.86	283.07	307.32	384.11	460.91
90	75	75	80	85	95	95	95	95	95	95	95	95	95	95	95	95	95	95
30	30	30	35	35	40	40	40	40	40	40	40	40	40	40	40	40	45	45
12	12	16	16	16	16	20	20	20	20	20	20	20	20	20	20	20	20	20
60	50	50	53	56	63	63	63	63	63	63	63	63	63	63	63	63	63	63
141.78	151.87	161.95	172.05	182.15	192.24	202.34	212.44	227.58	242.73	252.82	262.92	288.18	303.32	328.58	353.84	384.16	480.14	576.13
80	85	85	90	90	95	95	95	95	95	95	95	95	95	95	95	95	95	95
35	35	35	35	40	40	40	40	40	40	40	45	45	45	45	45	50	56	56
16	16	20	20	20	20	20	20	20	20	20	20	20	20	20	20	20	25	25
53	56	56	60	60	63	63	63	63	63	63	63	63	63	63	63	63	63	63
170.13	182.25	194.35	206.46	218.58	230.69	242.81	254.93	273.09	291.27	303.30	315.50	345.8	363.99	394.29	424.60	460.98	576.17	691.36
95	95	95	95	95	95	95	95	95	95	95	95	95	95	95	95	95	95	95
40	40	40	40	40	56	56	56	56	56	56	56	56	56	56	56	56	65	65
16	16	20	20	20	20	20	20	20	20	20	20	20	25	25	25	25	25	25
63	63	63	63	63	63	63	63	63	63	63	63	63	63	63	63	63	63	63
226.85	243	259.13	275.28	291.44	307.58	323.75	339.90	364.12	388.36	404.52	420.67	461.08	485.32	525.73	566.14	614.64	768.22	921.81
120	120	120	120	120	120	120	125	135	135	135	135	135	135	135	135	140	140	140
50	50	50	60	60	65	65	65	70	70	70	70	70	70	75	75	80	80	80
20	20	20	20	20	20	20	20	20	20	20	25	25	25	25	25	25	25	25
80	80	80	80	80	80	80	83	90	90	90	90	90	90	90	90	99	93	93
283.56	303.75	323.91	344.10	364.30	384.46	404.69	424.88	455.16	485.46	505.65	525.84	576.36	606.65	657.16	707.67	768.32	960.28	
150	150	150	150	150	160	160	160	160	160	160	160	160	160	160	160	170	180	
60	60	60	60	70	80	80	80	80	80	80	80	90	90	90	90	90	100	
30	30	30	30	30	30	30	30	30	30	35	35	40	40	40	40	45	45	
100	100	100	100	100	106	106	106	106	106	106	106	106	106	106	106	113	120	
340.27	364.5	388.69	412.93	437.16	461.35	485.65	509.85	546.18	582.55	606.78	631.01	691.63	727.97	788.59	849.22	921.98	1152.33	
150	150	150	150	170	170	170	170	170	170	180	180	190	190	190	190	200	210	
75	75	75	75	100	100	100	100	100	100	100	100	100	100	100	100	100	120	
40	40	40	40	45	45	45	45	45	45	50	50	50	50	50	50	60	60	
100	100	100	100	113	113	113	113	113	113	120	120	126	126	126	126	133	133	

One Piece Construction

ALSO SUPPLIED WITH FINISH BORE & KEYWAY.

Welded Construction