

PULL-LIFT™

HOIST & BLOCKS



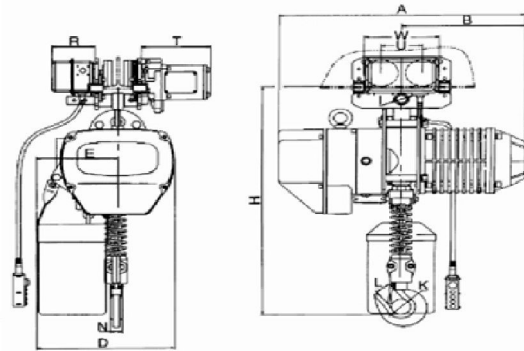
Features of Electric Chain Hoist

- Body: Light aluminum alloy steel body which is light but hard and fit for hazardous condition.
- Side magnetic braking device: This device shall release the Instant brake in case of the power failure
- Limit switch: The limit switch device is installed where the weight is lifted on and off, to make the motor stop automatically, so as to prohibit the chains from exceeding for safety
- Chain: The chain used is Imported FEC80 ultra heat-treatable aluminium alloy chain.
- Hook: It is hot forging with perfect strength that is hard to break. The operation safety of the lower hook is ensured by its 360 degrees rotation and safety tongue piece.
- Support Frame: The loading support frame consists of two steel plates, which is extremely sturdy.
- Transformers: 24V/36V transformer device. This device is used to prohibit unexpected accidents caused by electric leakage and guarantees the safe use while raining.
- Electromagnetic contactor: Electromagnetic contactor can be used safely under high frequency.
- Inverse phase sequence protecting device: It is the special electrical installation which controls the circuit not to work on case of wiring error in the power supply.
- Push Button: Waterproof push button is applied. It is light and durable.

PULL-LIFT™

HOIST & BLOCKS

Technical Specification for Electric Chain Hoist



Technical Parameters for hoist

Type	Capacity (Ton)	Lifting Speed (m/min)	Power (Kw)	Phases	Voltage (V)	I-Beam (MM)
PLEH01-01	1	6.8	1.5	3	220-440	68-130
PLEH02-02	2	3.4	1.5	3	220-440	82-178
PLEH03-01	3	4.4	3	3	220-440	100-178
PLEH05-02	5	2.8	3	3	220-440	100-178

Technical Parameters for trolley

Type	Capacity (Ton)	Motor Power (Kw)	S (MM)	T (MM)	Minimum radius of turn
PX-01	1	0.4	125-175	231	0.8
PX-02	2	0.4	164-214	231	0.8
PX-03	3	0.75	190-240	231	1.0
PX-05	5	0.75	250-255	231	1.8

Size Specification

Type	Capacity (Ton)	Unit (mm)						
		H	A	B	D	E	W	T
PLEH01-01	1	650	520	260	300	176	207	231
PLEH02-02	2	815	520	260	300	236	237	231
PLEH03-01	3	830	615	295	430	265	265	231
PLEH05-02	5	1015	615	295	430	325	296	231

Technical specification change without prior notice.